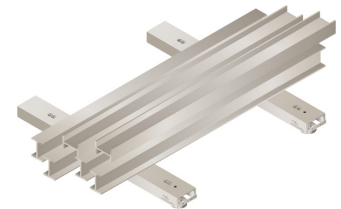
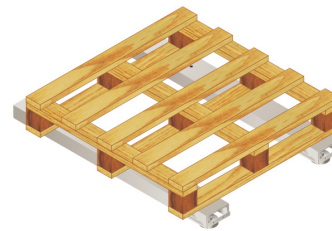
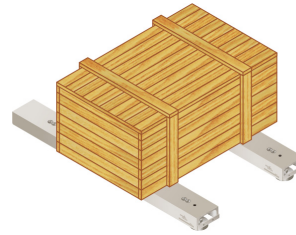
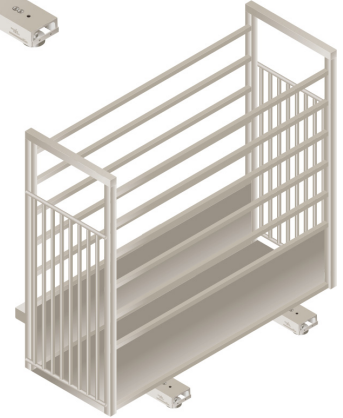
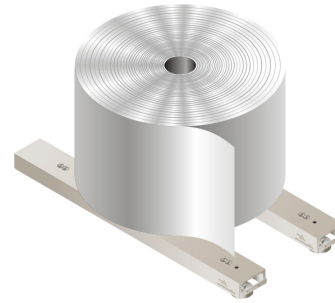


Example of applications



Range of use

Weighing bars in the R2 range are adapted to weighing most packagings for the material.

They are designed to perform a large number of weighing applications through the possible combination of all weighing indicators and transmitters in the PRECIA-MOLEN range.

Range

There are only four capacities of R2 weighing bars for **internal** (non-trade use).

- ▼ 300 kg / 100 g
- ▼ 600 kg / 200 g
- ▼ 1 500 kg / 500 g
- ▼ 2 t / 1 kg

Every model in the range is available in painted steel version only.

Standard delivery contents

Weighing bars in the R2 range are delivered in pairs and are equipped with a 3 m cable between bars and a 6 m connection cable to the indicator.

Technical data

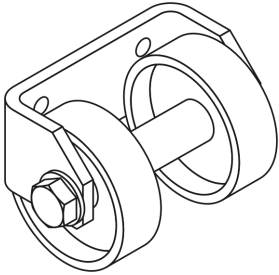
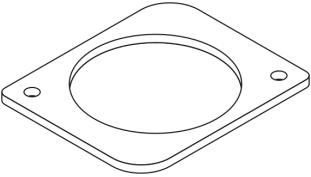
Physical characteristics

Dimensions		Weight
l x w	Height	
1 260 x 140 mm	81-89 mm	27 kg environ
1 260 x 140 mm	81-89 mm	27 kg environ
1 260 x 140 mm	81-89 mm	27 kg environ
1 260 x 140 mm	81-89 mm	27 kg environ

Metrological characteristics (non-trade use)

Model		Load cells		
Capacity	Division	Tare offset	E max.	V min.
300 kg	100 g	1 500 kg	500 kg	50 g
600 kg	200 g	1 500 kg	1 000 kg	100 g
1 500 kg	500 g	600 kg	1 000 kg	100 g
2 000 kg	1 kg	200 kg	2 000 kg	200 g

Options & Accessories

Wheels	Fixing plates	Other options
		<ul style="list-style-type: none"> • 6 m cable between bars. • Stainless steel load cells.

Your specialist

Non contractual illustrations. Precia-Molen reserves the right to alter the characteristics of the equipment described in this brochure at any time.

PRECIA-MOLEN Headquarters & Factory
 BP 106 - 07000 Privas - France
 Tel. 33 (0) 475 664 600
 Fax 33 (0) 475 664 330
 E-MAIL webmaster@preciamolen.com

RCS: 386 620 165 RCS Aubenas


**PRECIA
 MOLEN™**
 WORLDWIDE WEIGHING