



## Application

The MBW scale can be easily fitted on any stringer conveyor by using one of the existing idler stations.

It has particularly designed for bulk weighing, flow measurement and day production totalling during extraction, processing, pre-storage phases, etc.

This product is adapted to all activity sectors using belt conveyors:

- ▼ extraction industry (minerals, aggregates, coal...),
- ▼ mineral industry (phosphate, fertilizers, cement...),
- ▼ agri-business (cereals, bagasse, sugar...),
- ▼ chemical industry (salts, PVC, washing powders...),
- ▼ wood industry,
- ▼ bio-mass,
- ▼ recycling,
- ▼ crushing,
- ▼ ...

## Finish

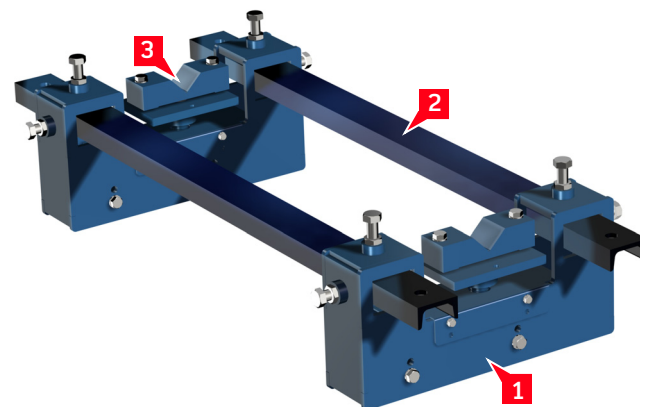
The MBW scale is made up of oven-painted steel with RAL5012 thermo-hardening powder paint granting perfect protection against environmental induced aggressions.

It is also available in 304L or 316L stainless steel version.

## General description

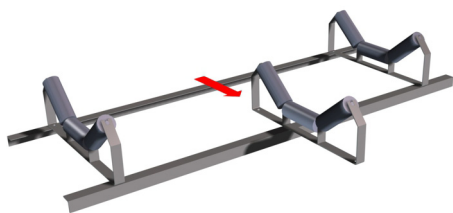
The MBW scale is mainly made up of:

- ▼ 2 load cell blocks (1) designed for continuous weighing each fitted with an IP68 stainless steel strain gauge load cell. These blocks include shock absorbers in case of large particle sizes and an overload mechanical stop, as well as a cunning idler station alignment device.
- ▼ 2 section-adapted metal cross-bars (2) to connect the load cell blocks to the conveyor.
- ▼ 2 fastening spikes (3) to fasten the various types of idler station onto the scale.



## Installation

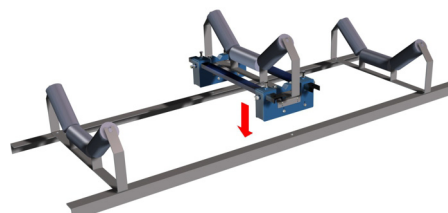
The MBW scale can be fitted between the stringers of any profiled framed conveyor in 3 steps.



Disassembly of existing station



Assembly



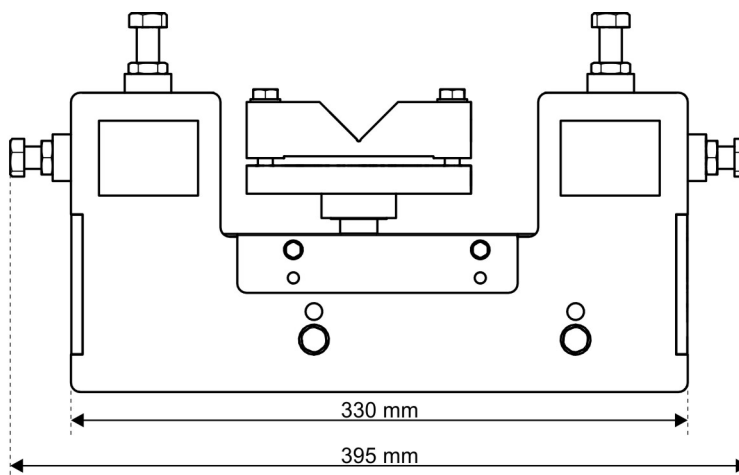
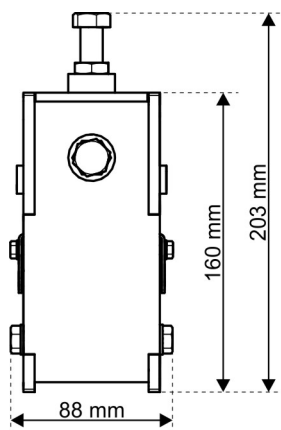
Fastening of the scale onto the frame

Alike all PRECIA MOLEN scales, the MBW connects with the i40 BS electronic system that displays the flow, belt speed, weight per meter and totalling in progress.

For more information, please read the 04-55-01-0 FT referenced document.

This unit measures the flow and tonne volume with  $\pm 1\%$  accuracy depending on the use conditions.

## Dimensions and weight



Weight of an equipped load cell block: 9 kg, therefore 18 kg per scale.

## Options & Accessories

- ▼ Cross bars
  - 3 available lengths to be adjusted on site to the conveyor frame width: 1 000, 1 400, 1 800 mm.
- ▼ ATEX 3D (other markings available)
- ▼ Low temperature load cells (- 20°C / + 60°C)
- ▼ Standard weights

Your specialist

Illustrations not contractual. Precia-Molen reserves the right to alter the characteristics of the equipment described in this brochure at any time.

**PRECIA-MOLEN Headquarters & Factory**  
 BP 106 - 07000 Privas - France  
 Tel. 33 (0) 475 664 600  
 Fax 33 (0) 475 664 330  
 E-MAIL webmaster@preciamolen.com

RCS: 386 620 165 RCS Aubenas

**PRECIA  
 MOLEN™**  
**WORLDWIDE WEIGHING**