



European directives

- ❑ Modified directive 89/336/CEE related to *Electromagnetic* Compatibility*.
- ❑ Directive 98/37/CEE related to machines.
- ❑ Directive 90/384/CEE related to *Non-Automatic Weighing Instruments*.

Metrological approval

- ❑ CE approval certificate type T2782.

Data

Manual weighing pallet truck, 4 load cells, Weighing, Counting, Totalization, Dosing.

- ❑ Capacity : 2000 kg
- ❑ Multi-interval graduation :
 - 0 to 200 kg graduation 0,2 kg
 - 200 to 500 kg graduation 0,5 kg
 - 500 to 2000 kg graduation 1,0 kg
- ❑ Maximum error : 0,1% of the weighed weight.
- ❑ Available for commercial transactions.

General

The immediate advantage of the X-TRA-L weighing pallet truck in the PRECIA-MOLEN range is that it weighs pallets or containers during handling.

The X-TRA-L weighing pallet truck is ideal for weighing European pallets. It combines a precise weighing system with a high quality pallet truck. Its functions keypad can be used to control simple weighing , totalization and part counting operations, and the results can be printed. The X-TRA-L has been designed for intensive use, is resistant to shocks, and is sealed and protected against dust and moisture. Its battery module is very quickly changed and is designed for a life of about 8 hours including use of the integrated printer.

Practical applications

Merchandize checks during reception, shipment or when making inventories are facilitated, and made as simple as possible, creating a considerable productivity gain for your company.

Functions

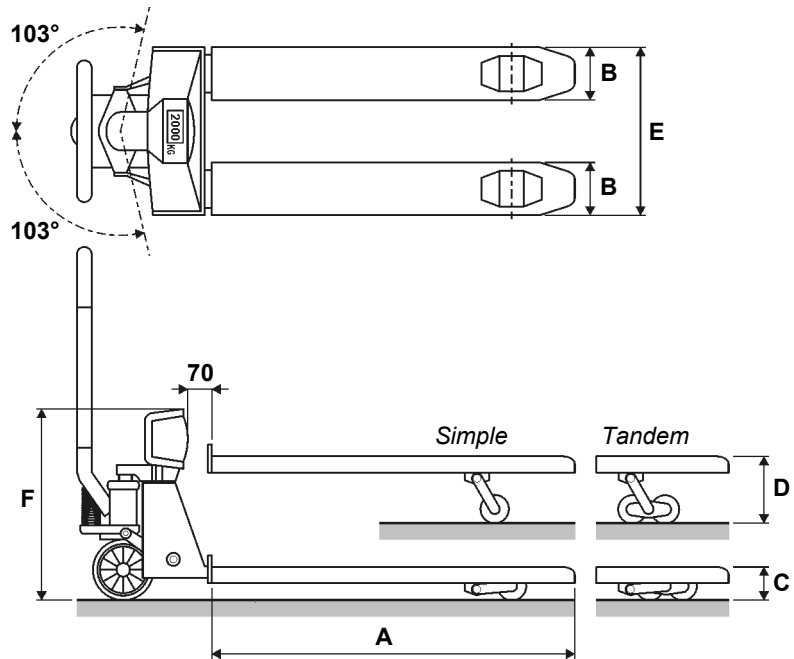
- ❑ Manual and automatic correction of zero,
- ❑ Gross, Tare and Net functions,
- ❑ Manual and automatic tare, reminder of the last 10 manual tares ,
- ❑ Entry of a 6-digit code and reminder of the last 10 codes,
- ❑ Counting with known unit weight, reminder of the last 10 unit weights ,
- ❑ Totalization,
- ❑ RS232 output,
- ❑ Internal clock,
- ❑ Error display,
- ❑ Automatic cut-off after 60 minutes non-use (programmable).

* Meeting the requirements of this Directive depends on a correct installation.

Physical characteristics :

■ Dimensions :

A - Fork length	1150 mm
B - Fork width	170 mm
C - Minimum height	90 mm
D - Maximum height	210 mm
Lifting travel	120 mm
E - Outside spacing	550 mm
F - Indicator height	650 mm



■ Color	RAL 1028 yellow, epoxy paint,
■ Mass	110 kg

■ Steering wheels	Rubber
■ Load bearing wheels	Polyurethane, simple

Electrical characteristics

■ Life : up to 8 hours, battery level indication.	
■ Battery	12 Vdc / 1,2 Ah
■ Battery charger	230 V / 12 Vdc - 300mA

Environmental characteristics

■ Sealing and protection :	
• Load cells and wiring	IP 67
• Indicator	IP 65

Options & Accessories

- | | |
|---|--|
| <ul style="list-style-type: none"> ■ Integrated printer for printing weighing data , ■ Rotary indicator for reading on 360° , ■ Relay output to control valves or visual /sound signals, ■ Additional battery module enabling continuous use, ■ Stainless steel frame, ■ Stainless steel forks, | <ul style="list-style-type: none"> ■ Polyurethane or polyamide steering wheels, ■ Polyamide and/or tandem load bearing wheels, ■ Hand brake/Foot brake, ■ 3000 kg capacity (graduation 1,0 kg), ■ Fork length 950 mm to 2000 mm, ■ Outside fork spacing 690 mm, ■ Other options on request. |
|---|--|

Your weighing specialist

Illustrations are not contractual. Precia-Molen reserves the right to modify at any time, without prior notice, the information contained in this leaflet.

Offices and Factory
P.O. Box 106 - F 07000 Privas - France
Tel. 33 (0) 475 664 600
Fax 33 (0) 475 658 330
E-MAIL webmaster@preciamolen.com

RCS : 386 620 165 RCS Aubenas

