



General

The immediate advantage of the X-TRA-B weighing pallet truck in the PRECIA-MOLEN range is that weighs pallets or containers during handling.

The X-TRA-B weighing pallet truck is ideal for weighing European pallets. It combines a precise weighing system with a high quality pallet truck. Its functions keypad is so easy that anyone can use it. The X-TRA-B has been designed for intensive use, is resistant to shocks, and is sealed and protected against dust and moisture. Its battery module is very quickly changed and is designed for a life of about 35 hours of use.

Practical applications

Merchandise checks during reception, shipment or when making inventories are facilitated, and made as simple as possible, creating a considerable productivity gain for your company.

European Directives

- Modified directive 89/336/CEE related to *Electromagnetic* Compatibility*.
- Directive 98/37/CEE related to machines.
- Directive 90/384/CEE related to *Non-Automatique Weighing Instruments*.

Metrological approval

- CE approval certificate type T2782.

Data

Manual weighing pallet truck, 4 load cells, Weighing, Totalization.

- Capacity : 2000 kg
- Multi-interval graduation :
 - 0 to 200 kg graduation 0,2 kg
 - 200 to 500 kg graduation 0,5 kg
 - 500 to 2000 kg graduation 1,0 kg
- Maximum error : 0,1% of the weighed weight.
- Available for commercial transactions.

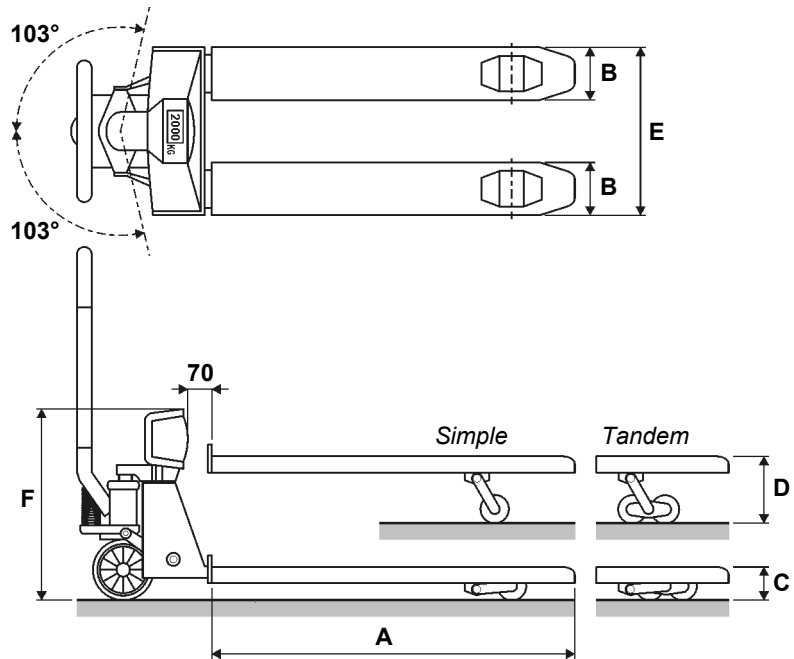
Functions

- Manual and automatic correction of zero,
- Gross, Tare and Net functions,
- Manual and automatic tare,
- Totalization,
- Error display,
- Automatic cut-off after 60 minutes non-use (programmable).

Physical characteristics :

■ Dimensions :

| | |
|-----------------------------------|---------|
| A - Fork length | 1150 mm |
| B - Fork width | 170 mm |
| C - Minimum height | 90 mm |
| D - Maximum height | 210 mm |
| Lifting travel | 120 mm |
| E - Outside spacing | 550 mm |
| F - Indicator height | 650 mm |



| | |
|---------------|----------------------------------|
| ■ Color | RAL 1028 yellow, epoxy paint, |
| ■ Mass | 110 kg |

| | |
|-----------------------------|----------------------|
| ■ Steering wheels | Rubber |
| ■ Load bearing wheels | Polyurethane, simple |

Electrical characteristics

| | |
|--|------------------------|
| ■ Life : up to 35 hours, battery level indication. | |
| ■ Battery | 12 Vdc / 1,2 Ah |
| ■ Battery charger | 230 V / 12 Vdc - 300mA |

Environmental characteristics

| | |
|-------------------------------|-------|
| ■ Sealing and protection : | |
| • Load cells and wiring | IP 67 |
| • Indicator | IP 65 |

Options & Accessories

- | | |
|---|--|
| <ul style="list-style-type: none"> ■ Integrated printer for printing weighing data, ■ Rotary indicator for reading on 360°, ■ Additional battery module enabling continuous use, ■ Stainless steel frame, ■ Stainless steel forks, | <ul style="list-style-type: none"> ■ Polyurethane or polyamide steering wheels, ■ Polyamide and/or tandem load bearing wheels, ■ Hand brake/Foot brake, ■ 3000 kg capacity (graduation 1,0 kg), ■ Fork length 950 mm to 2000 mm, ■ Outside fork spacing 690 mm, ■ Other options on request. |
|---|--|

Your weighing specialist

Illustrations are not contractual. Precia-Molen reserves the right to modify at any time, without prior notice, the information contained in this leaflet.

Offices and Factory
P.O. Box 106 - F 07000 Privas - France
Tel. 33 (0) 475 664 600
Fax 33 (0) 475 658 330
E-MAIL webmaster@preciamolen.com

RCS : 386 620 165 RCS Aubenas

