



Note : Ramp optional.

Available models

Max	(i) _e	Trade use
300 kg	20 g	×
300 kg	50 g	×
300 kg	100 g	●
150 / 300 kg	100 / 200 g	●
600 kg	50 g	×
600 kg	100 g	×
600 kg	200 g	●
300 / 600 kg	100 / 200 g	●
1 500 kg	100 g	×
1 500 kg	200 g	×
1 500 kg	500 g	●
2 t	200 g	×
2 t	500 g	×
2 t	1 kg	●

(i) Or d for non-trade use

All models are available in two useful widths 800 mm and 1 250 mm with standard load cells or stainless steel load cells.

Usage range

Load platforms in the R4 SB range are specially designed for weighing all types of rolling loads, and are fitted with four bending load cells for optimum reliability and precision.

The R4 SB range includes a wide range of capacities, from 300 kg to 2 t, available with two passage widths of 800 and 1 250 mm.

Platforms in the R4 SB range may be used in combination with many indicators in the PRECIA-MOLEN range for trade or non-trade use (3000 e).

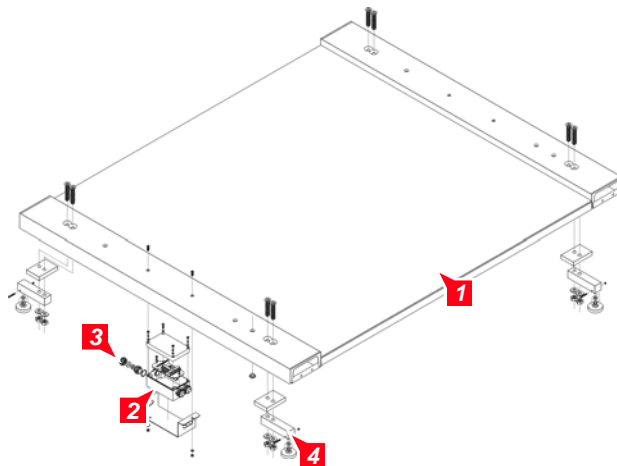
European conformity

Conforming with a conventional load platform according to the WELMEC 2.4 guide.

Option

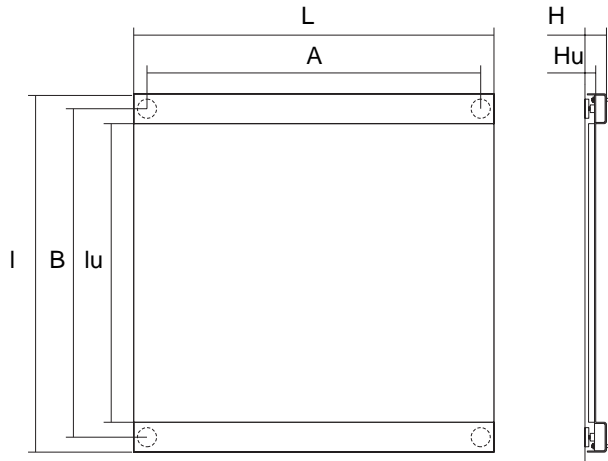
Ex version for use in explosive areas due to gas and dust according to the new 94/09/CE directive :
EEx ia IIC T6 II 1 G/D.

Design



1. Passage platform (1 250 x 800 or 1 250 x 1 250 mm).
2. Connection box.
3. Connections to load cells and the indicator through sealed stuffing boxes.
4. Load cells.

Dimensions



		Width 800	Width 1 250	
L	Length	1 250	1 250	mm
I	Total width	1 080	1 530	mm
lu	Useful width	800	1 250	mm
A	c/c distance (L)	1 102 ± 0.5	1 102 ± 0.5	mm
B	c/c distance (I)	940	1 390	mm
H	Total height	81-89	81-89	mm
Hu	Useful height	56-64	56-64	mm

Weight

	Platform only	Ramp (x 1)
Width 800	120 kg	26 kg
Width 1 250	150 kg	40 kg

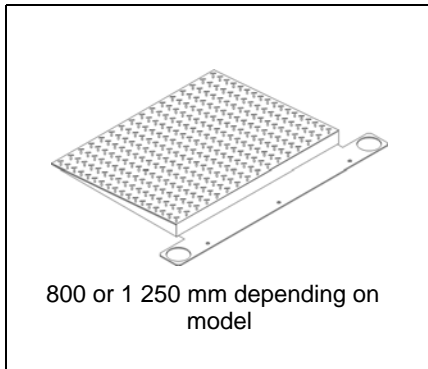
Metrological characteristics

Capacity	e or d	Number of div.	Load cell		Max tare offset. (kg)	(i)
			e (g)	E max (kg)		
150/300 kg	50/100 g	2 x 3 000	(ii)25	(iii)250	0	●
300 kg	100 g	3 000	(ii)25	(iii)250	0	●
300 kg	50 g	6 000	(ii)25	(iii)250	0	×
300 kg	20 g	15 000	(ii)25	(iii)250	0	×
300/600 kg	100/200 g	2 x 3 000	50	500	300	●
600 kg	200 g	3 000	50	500	300	●
600 kg	100 g	6 000	50	500	300	×
600 kg	50 g	12 000	50	500	300	×
600/1500 kg	200/500 g	2 x 3 000	100	1 000	700	●
1500 kg	500 g	3 000	100	1 000	700	●
1500 kg	200 g	7 500	100	1 000	700	×
1500 kg	100 g	15 000	100	1 000	700	×
2 t	1 kg	2 000	200	2 000	2 000	●
2 t	500 g	4 000	200	2 000	2 000	×
2 t	200 g	10 000	200	2 000	2 000	×

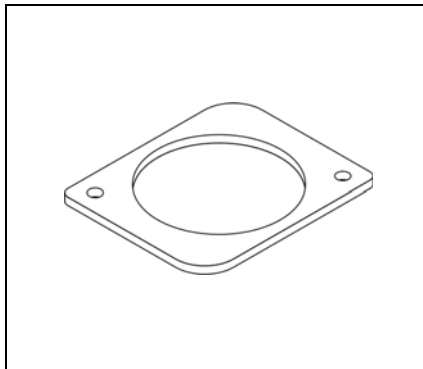
(i) Available for trade use.
 (ii) 30 g for models with stainless steel load cells.
 (iii) 300 kg for models with stainless steel load cells.

Options & Accessories

Access ramp(s)



Fixing plates



Other options

- Stainless steel load cells.
- option.

You weighing specialist

Illustrations are not contractual. Precia-Molen reserves the right to modify at any time, without prior notice, the information contained in this leaflet.

Offices and Factory
 P.O. Box 106 - 07000 Privas - FRANCE
 Tél. 33 (0) 475 664 600
 Fax 33 (0) 475 658 330
 E-MAIL webmaster@preciamolen.com
 RCS : 386 620 165 RCS Aubenas

