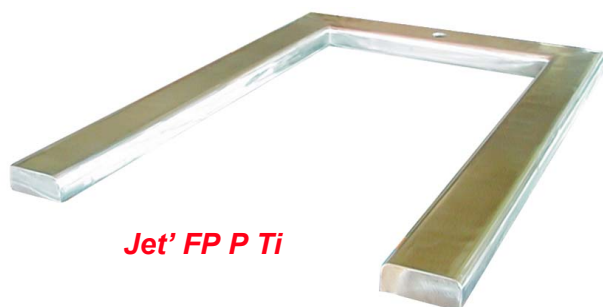


Jet' FP P Std



Jet' FP P Ti

European Conformity

Conforming with a conventional load platform according to the WELMEC 2.4 guide.

Range

Models

Capacity	Division	Trade use
600 kg	50 g	×
	200 g	●
1 500 kg	500 g	●
	100 g	×

Every model is available in standard version and stainless steel version.

General presentation

Field of application

Jet'FP P

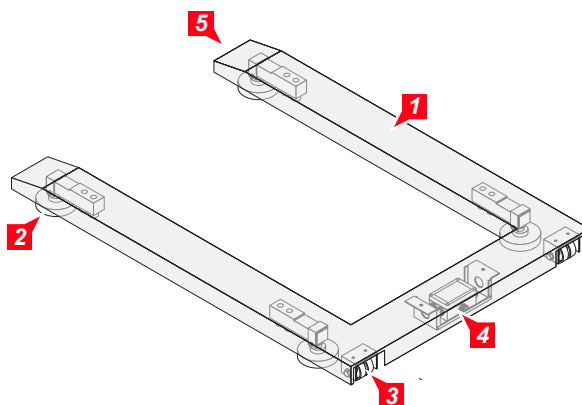
Specially designed for intensive use, JET'FP P pallet scales are equipped with 4 shearbeam load cells for optimum reliability and accuracy. Their castors allow an easy movement of the scales.

By the simplified design of the JET'FP P, this pallet scale can easily be maintained and cleaned by one single person.

- STD Model (standard)
 - 4 load cells made of nickel steel (IP 67 protection)
- Ti Model (stainless steel)
 - 4 full stainless steel load cells (protection degree IP 67)
 - full stainless steel (304-L) structure

By its IP 67 protection degree (dust and spray water tight), the Ti model perfectly meets the severe requirements with respect to hygiene and cleanliness made by the food, chemical, pharmaceutical industries, etc.

JET'FP P pallet scales are used together with numerous PRECIA-MOLEN weight indicators and terminals for Trade (3000 e) or No Trade use.



1. Lacquered steel (STD) or stainless steel (Ti) frame
2. 4 Sets of load cells with mounting parts, steel IP 67 (STD) or stainless steel IP 67 (Ti) with load cells adjustable feet
3. 2 Castor assemblies for easy moving
4. Load cell junction box
5. Machined frame ends to avoid personal injury
6. Adjustable feet



Physical data

Dimensions (and weight)

Width 920 mm
Length 1 310 mm

Functional dimensions

Distance between forks 640 mm
Fork width 140 mm

Metrological data

Capacity	Division	Load cells STD models			Load cells Ti models		
		E max	V min	e	E max	V min	e
600 kg	200 g	500 kg	50 g	100 g	500 kg	50 g	100 g
1 500 kg	500 g	1 000 kg	100 g	250 g	1 000 kg	100 g	250 g

Standard scope of supply

Jet'FP P pallet scales are supplied with a 6 m long indicator connection cable.

You weighing specialist

Illustrations are not contractual. Precia-Molen reserves the right to modify at any time, without prior notice, the information contained in this leaflet.

Offices and Factory
P.O. Box 106 - 07000 Privas - FRANCE
Tél. 33 (0) 475 664 600
Fax 33 (0) 475 658 330
E-MAIL webmaster@preciamolen.com
RCS : 386 620 165 RCS Aubenas

