



490 IBK range Highperformance industrial scales

The 490 IBK range of precision industrial scales offer advanced performance at reasonable cost.

These scales provide Class II fine precision for all capacities in the range from 12,000 to 34,000 g. An additional feature of these scales is the SCS auto calibration system.

The scales feature a large stainless steel platform offering protection against dust and liquid ingress, making the 490 IBK range suitable for industrial environments and intensive use.

The RS232 serial link allows connection to a wide range of peripheral devices via a PC including printer, scanner, remote display, etc.

Application

Depending on the capacity selected among the available models, the 490 IBK range scales are suitable for use in many industries:

- Electronics,
- Bottle inspection and filling,
- Metallurgy and manufacturing,
- Mechanical production,
- Pharmaceutical,
- Chemical.

Functions

- Parts counting
- Percentage
- Average value calculation (animal weighing)
- Tolerance check +/-
- Unit conversion
- Statistics
- Base weight
- Volume weight (density) calculation
- Totalising.

General

- Capacity from 12,100 to 34,100 g
- Accuracy from 0.1 to 1 g
- Display unit fluorescent (LED)
- Platform 400 x 300 mm
- Power supply 115/230 V mains adapter
- Protection IP 54 (IP 65 optional)

Available models

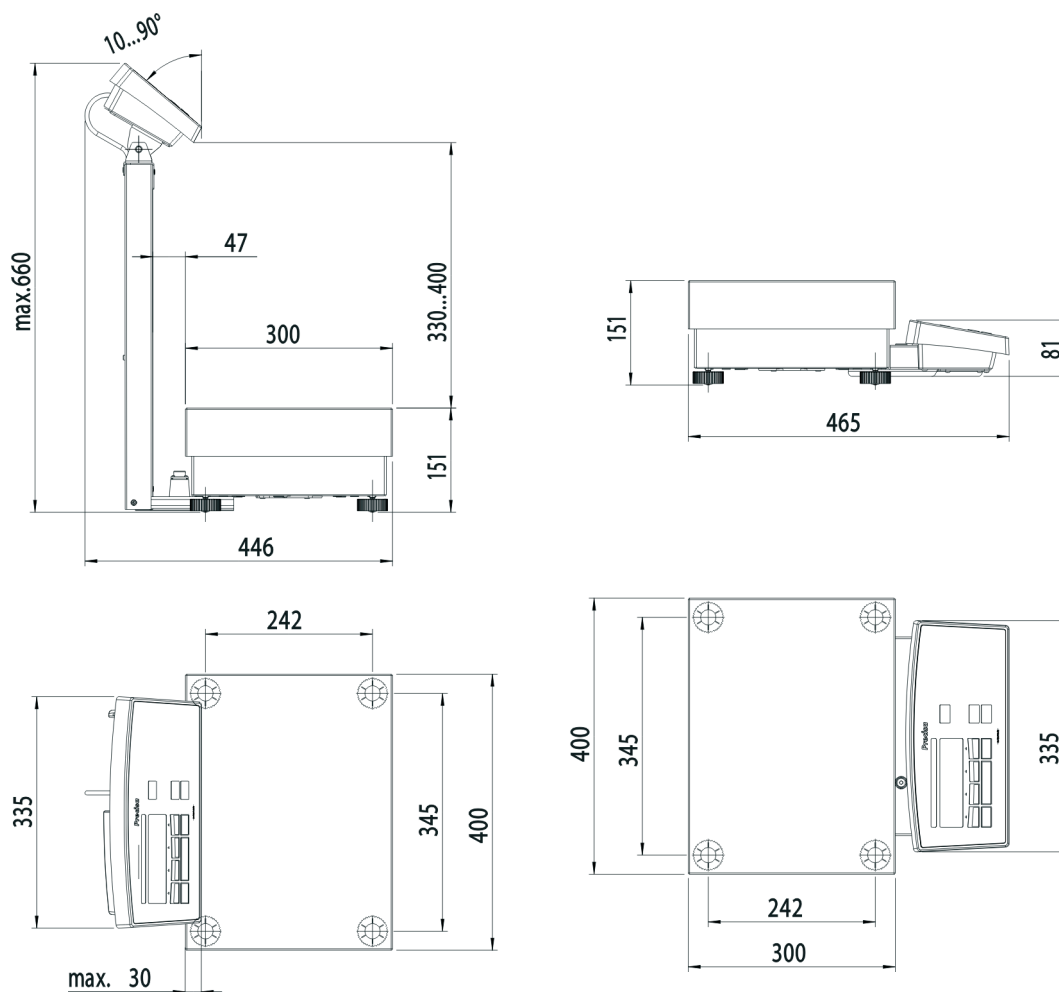
Model	Capacity (g)	Accuracy (g)	Division (g)
IBK 12000D	12,100	0.1	1
IBK 18000D	18,100	0.1	1
IBK 34000D	34,100	0.1	1
IBK 30000G	30,100	1	1

European Conformity

- ▼ Directive 2009/23/CE for *Non-Automatic Weighing Instruments*
- ▼ Directive 2004/108/CE for *Electromagnetic Compatibility*
- ▼ Directive 2006/95/CE for *Low Voltage* equipments

Technical characteristics


Dimensions



Detailed characteristics

- ▼ Power supply
 - Voltage 115/230 V
 - + 15 % - 20 %
 - Frequency 50 - 60 Hz
 - Power consumption 25 VA
- ▼ Temperature 0 to + 40° C

Options & Accessories

Column	Improved protection rating
	<div style="border: 1px solid black; padding: 10px; width: 100px; margin: 0 auto;"> <p>IP 65</p> </div>

Your specialist

Precia Molen reserves the right to alter the characteristics of the equipment described in this brochure at any time.

Main office & Plant PRECIA-MOLEN
 BP 106 - 07000 Privas - France
 Tel. 33 (0) 475 664 600
 Fax 33 (0) 475 664 330
 E-MAIL webmaster@preciamolen.com

RCS: 386 620 165 RCS Aubenas


**PRECIA
 MOLEN™**
WORLDWIDE WEIGHING